

DC UPS

12W / 9W



Specifications

MODEL	DC UPS
Capacity	12W/9W
INPUT	
Voltage	150V-265VAC
Current	<0.2A
OUTPUT	
Voltage	12V/9V DC
Current	1A
Transfer Time	0ms
Backup Time	4 hours @ 5W load
BATTERY	
Configuration	6V/4AH
Typical Recharge Time	6-8 hours recover to 90%
PHYSICAL	
Net Weight (kg)	1.1
Gross Weight (kg)	1.2
Dimension (mm) W x D x H	127 x 79 x 93
Packing Dimension (mm) W x D x H	165 x 120 x 120

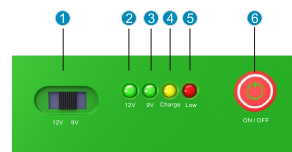
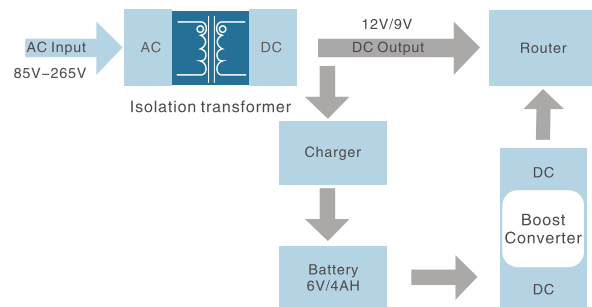
Features

- 12V/9V output switchable
- Cold start
- Over discharge protection
- Auto restart while AC is recovering
- Battery low, overload alarm
- Short circuit protection
- Backup mode light load auto-shutdown (optional)

Application area

- Routers, Modems, Remote monitoring systems, Warning systems, and other DC devices

Schematic design



Control Panel

1. Voltage Output Selector
2. 12V Output LED
3. 9V Output LED
4. Charger LED
5. Battery Low LED
6. Power On/Off

Our DC UPS is designed as a backup power for your devices such as routers, modems and many other DC devices. It is an ideal product for where the AC power is not stable or reliable. The DC UPS will provide hours backup time and get charged when AC supply recover.

FAQ

Q: Why the DC UPS could not use my adapter which I bought with my router?

A: The adapter bought with router is properly designed for router only. It may not provide sufficient power to fulfill the battery when the router is working, but our adapter inside the DC UPS can charge and max power output at the same time.

Q: Can this DC UPS provide backup time for my DC device?

A: Yes, but two conditions.

1. The input voltage of your device should be 9V or 12V.
2. The input current of your device should not exceed 1A.